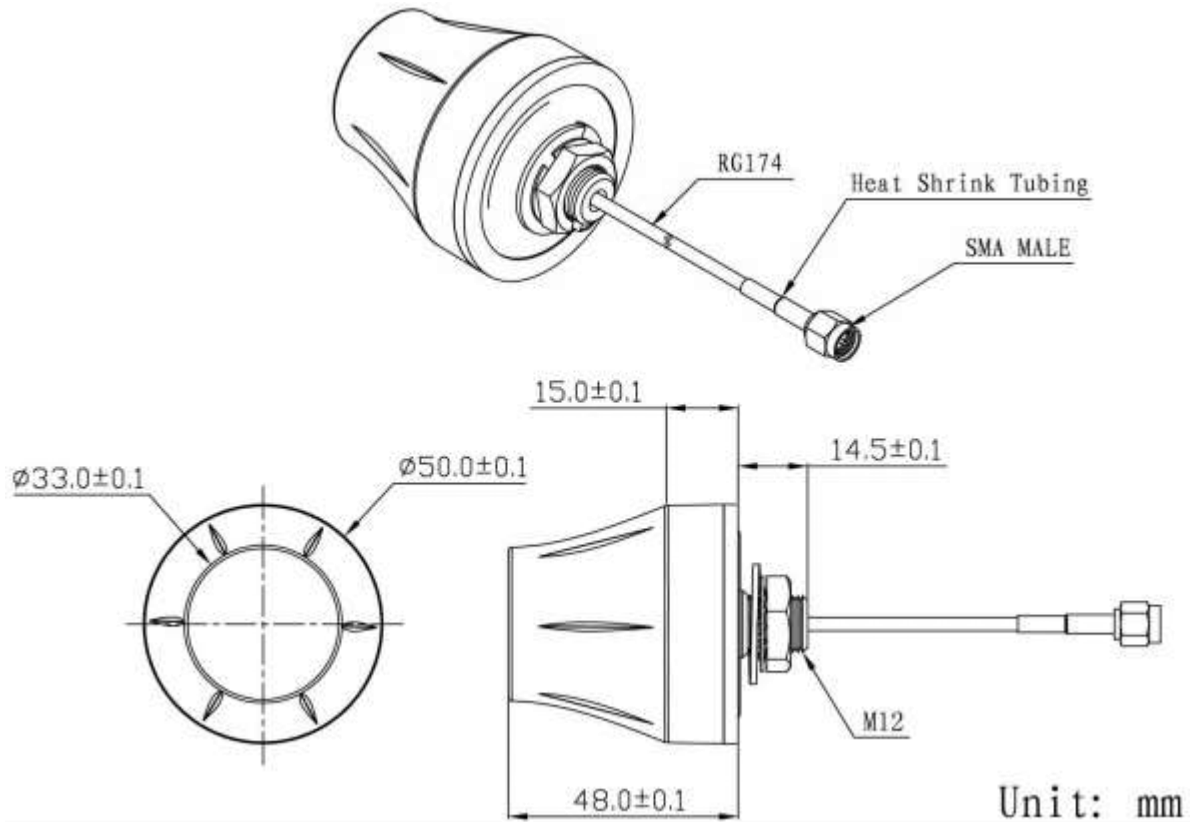


Function : 2G/3G/4G Antenna



Item	Specifications	
Antenna	Frequency Range	824~960/1710~2655MHz
	Polarization	Linear
	Gain	2dBi (Zenith)
	V.S.W.R(min)	<2.0
	Impendance	50Ω
Mechanical	Cable	RG174 or others
	Connector	SMA or others
	Radome Material	ABS
	Mounting Method	Screw
Environmental	Operating Temperature	-40°C~+85°C
	Relative Humidity	Up to 95%
	Ingress Protection	IP67 (exclude cable outlet)
	Vibration	10 to 55Hz with 1.5mm amplitude 2hours
	Environmentally Friendly	ROHS Compliant